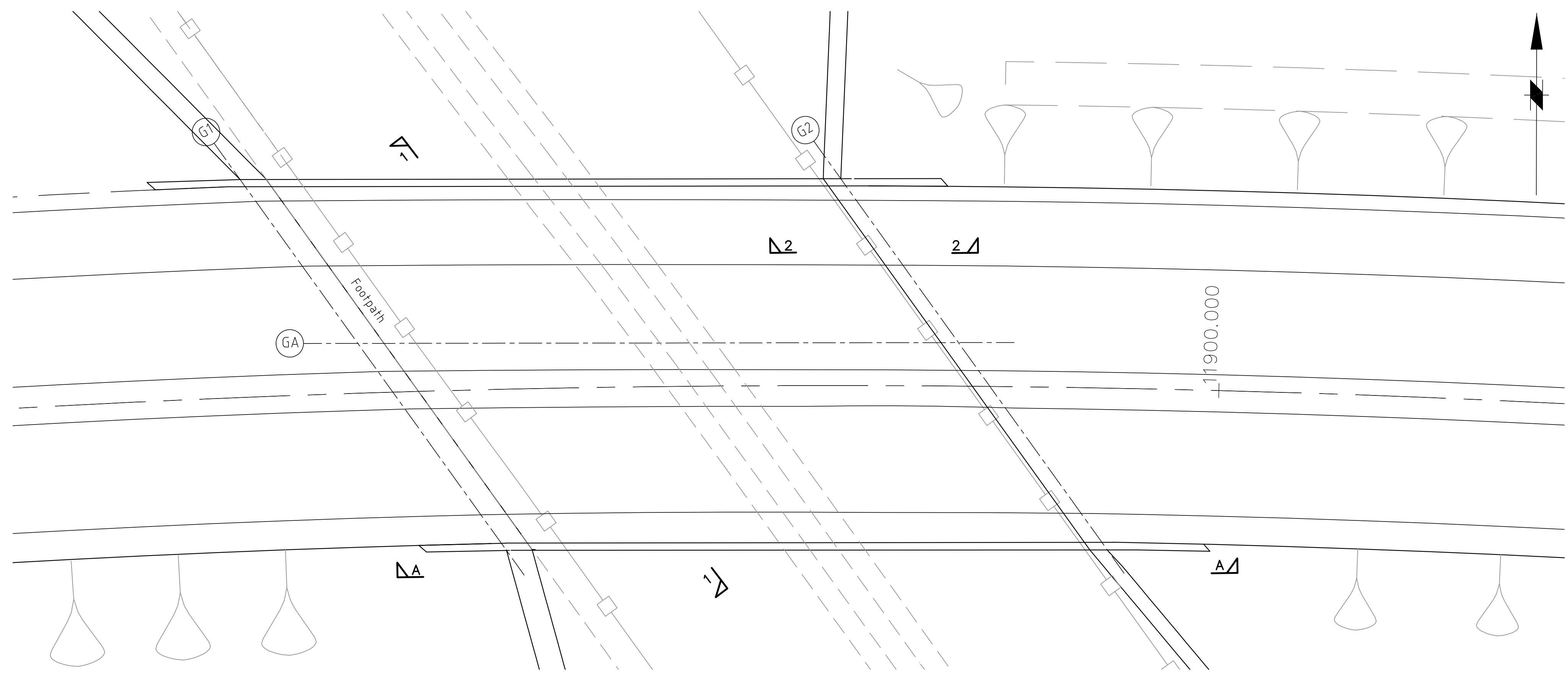
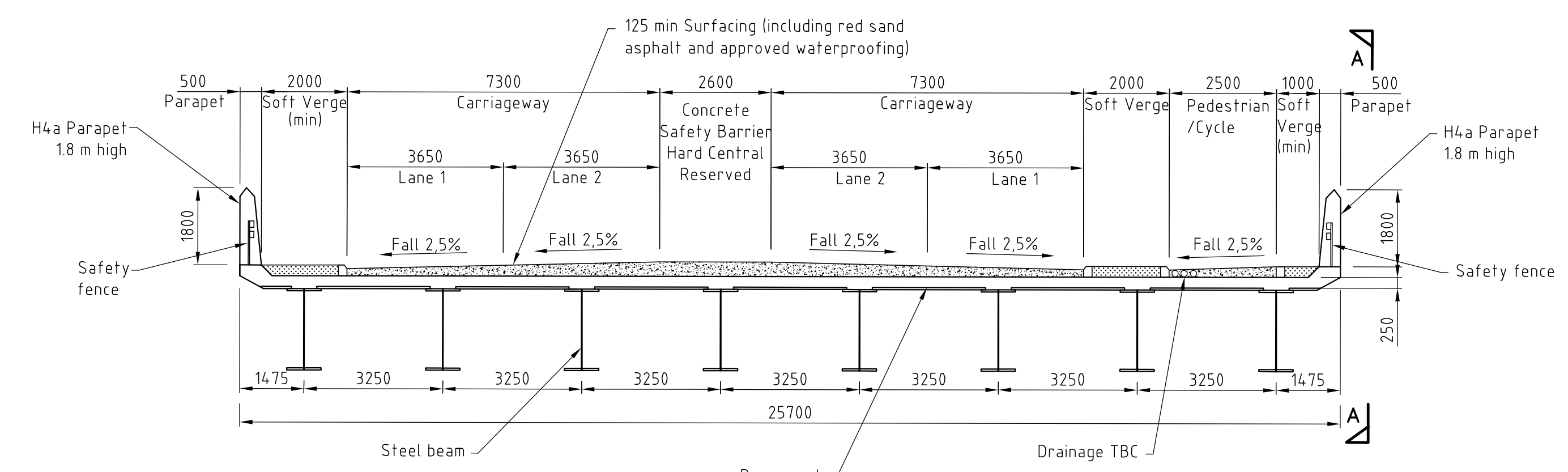


NOTES

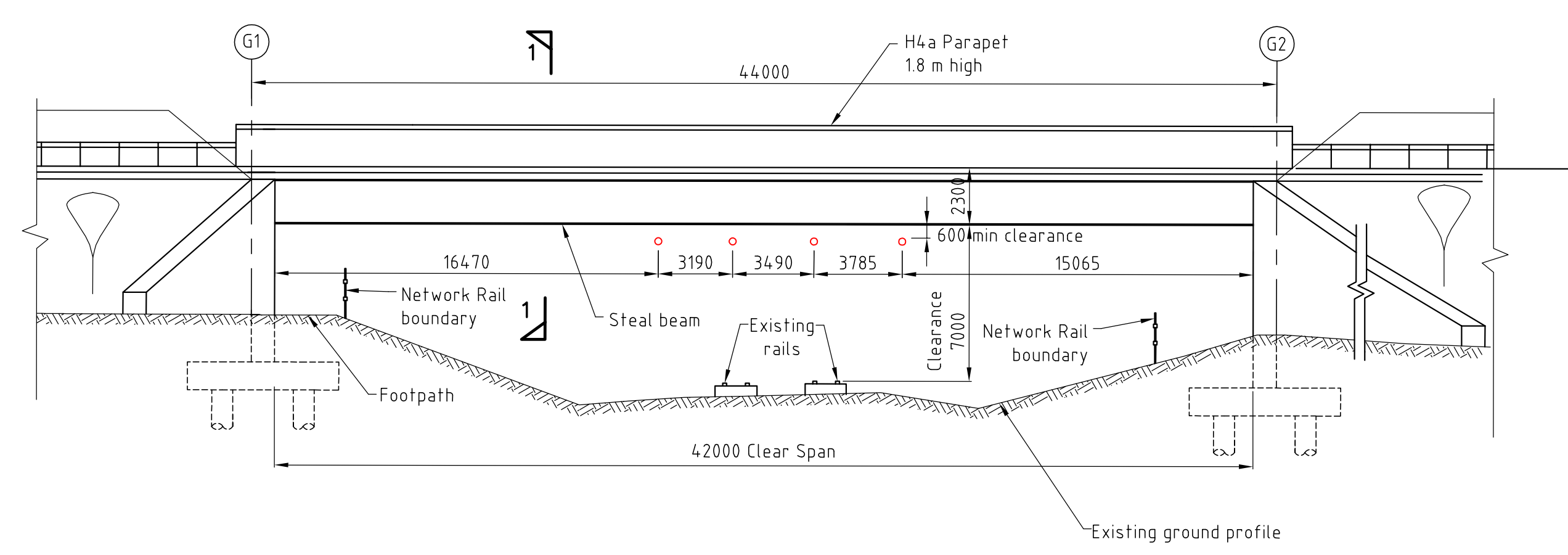
1. The drawing has been produced based on the latest MX highway model - Draft Design Freeze 5 as provided by the client.
2. This drawing has been produced mainly for the purpose of planning application and feasibility study.
3. Only one option has been considered for this location as per client's instructions.
4. Levels are in meters and above Ordinate Datum.
5. All dimensions are in millimeters.
6. The option shown in this drawing is not for construction.
7. The foundation type shown on the drawing is based on the latest available geotechnical information.
8. Basic preliminary design has been undertaken to determine the geometry of the section sizes as per client's instruction.



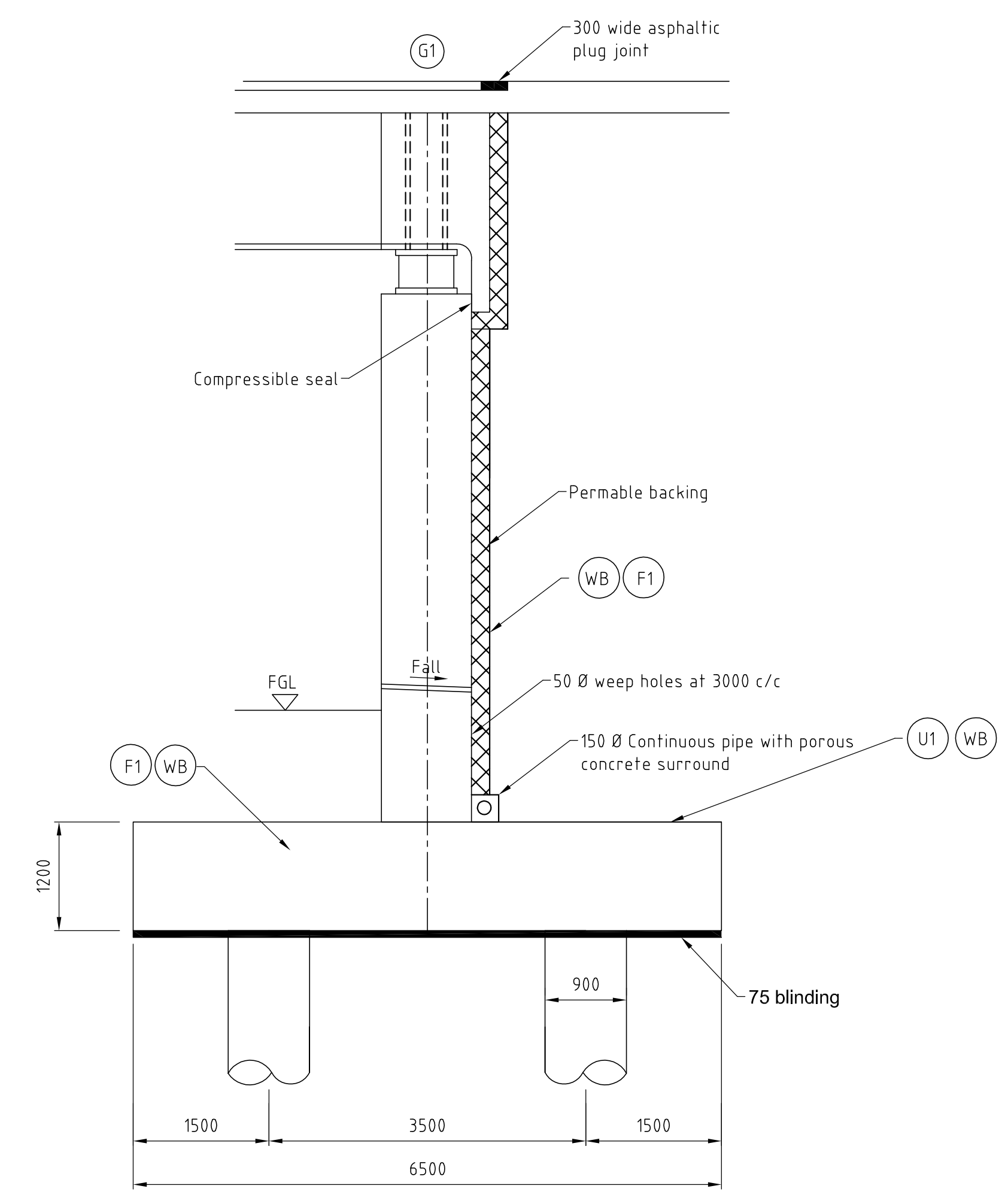
PLAN ON BRIDGE
Scale 1:200



SECTION 1-1
Scale 1:100



ELEVATION A-A
Scale 1:200



SECTION 2-2
Scale 1:50

Rev.	Drawn	Checked	Date	Revision Details



Jim McMahon BSc. C.Eng. MICE
SERVICE DIRECTOR, MAJOR PROJECTS

Job Title
SEMMMS RELIEF ROAD SCHEME A6-AIRPORT

Drawing Title
GENERAL ARRANGEMENT WCML BRIDGE

Drawn	Engineer	Checked	Approved
RBG	LF	TK	NS
Date	Date	Date	Date
NOV/11	21/12/11	21/12/11	23/12/11
Size	Scale	AS SHOWN	
A1	Filename		
SCG No.			

Drawing No. 1007/3D/DF5/A6-MA/B008/708 Revision